

Rainmaker Select

Overhead shower 460 3jet with shower arm

Surfaces: **Black/Chrome** Article Number: **24007600**



Description

product features

- consists of: overhead shower, shower arm, escutcheon
- shower head size: 466 x 300 mm
- spray type: Rain, RainStream, MonoRain
- material spray disc: plexiglas
- spray disc surface: easy cleanable spray disc in glass optics
- shower arm length 461 mm
- maximum flow rate at 3 bar: 18 l/min
- flow rate Rain spray (at 3 bar): 18 l/min
- flow rate RainStream spray (at 3 bar): 15 l/min
- flow rate Mono spray (at 3 bar): 18 l/min
- function from: 12 l/min
- minimum flow pressure: 1,5 bar
- the 3 spray zones must be controlled via 3 valves or a diverter valve with 3 outlets
- spray disc removable for cleaning
- overhead shower removable for cleaning
- installation: wall-mounted - for installation on iBox
- connection dimension: DN15
- not suitable for continuous flow water heaters
- not included: basic set

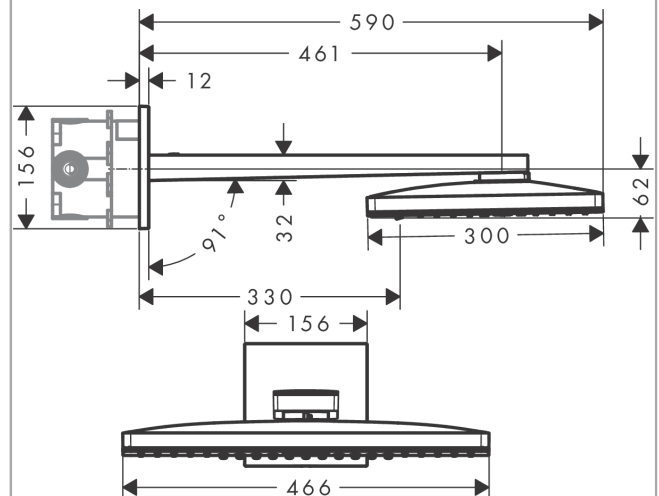
Technology



Product image



Scale drawing



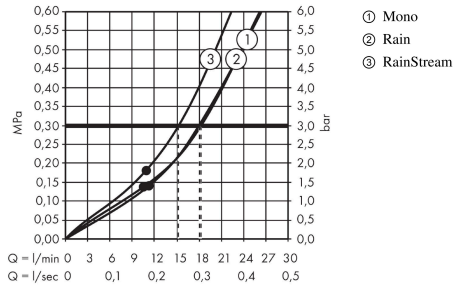
Rainmaker Select

Overhead shower 460 3jet with shower arm

Surfaces: **Black/Chrome** Article Number: **24007600**



Flowchart



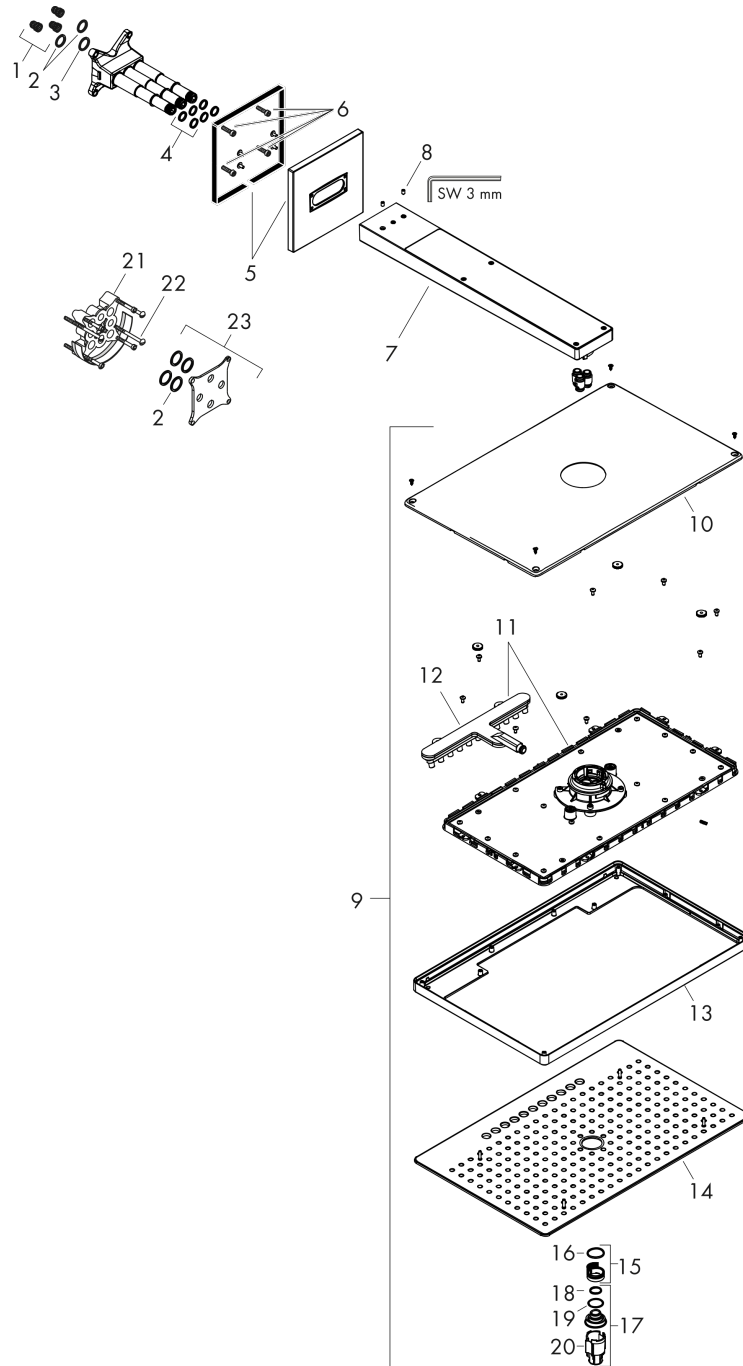
The consumption was measured in combination with the appropriate fittings (thermostat/mixer/in-wall valve) to reflect actual application in practice.

Rainmaker Select
Overhead shower 460 3jet with shower arm
 Surfaces: **Black/Chrome** Article Number: **24007600**



Exploded Drawing

Year of production: >04/17



Rainmaker Select

Overhead shower 460 3jet with shower arm

Surfaces: **Black/Chrome** Article Number: **24007600**



Spare part list

Year of production: >04/17

Pos.	Description	Article Number	Price	PU
1	filter	98513000	€ 3,21	1
2	O-ring 16x2	98133000	€ 3,21	1
3	O-ring 18x2	98181000	€ 5,24	1
4	O-ring 12x2	98214000	€ 3,21	1
5	escutcheon 155 / 155 mm	92700000	€ 162,08	1
6	set of screws	96525000	€ 8,45	1
7	shower arm	92701000	€ 401,27	1
8	hollow set screw M5x8	92851000	€ 3,21	1
9	head shower	92681600	€ 4.214,15	1
10	cover	93393000	€ 162,08	1
11	cartridge, assy	93389000	€ 401,27	1
12	spray insert	92923000	€ 86,16	1
13	frame	93391000	€ 539,55	1
14	spray body	92704610	€ 1.091,94	1
15	filter	92683000	€ 18,33	1
16	O-ring 24x2	98388000	€ 3,21	1
17	aerator laminar	92684610	€ 124,95	1
18	O-ring 15x2	98163000	€ 3,21	1
19	O-ring 21x2	98205000	€ 5,24	1
20	special tool	92686000	€ 8,45	1
21	extension 25 mm	13595000	-	1
22	set of fixing screws	97747000	€ 3,21	1
23	compensation set 1°	95521000	€ 162,08	1